

# SKF

## A new Standard SKF Slewing Bearing



### L'SHAPE bearing units

From stock  
Fully interchangeable  
Easy mounting  
High quality  
Cost effective solution



## The bearings

Now you can get from SKF a full range of L'Shape Slewing Bearings that gives a high performance and a reduced weight in a large number of applications.

They are pre-engineered units designed to give you a cost effective solution.

They are of four-point contact ball, with or without gearing, designed to accommodate axial or radial loads, as well as tilting moments.

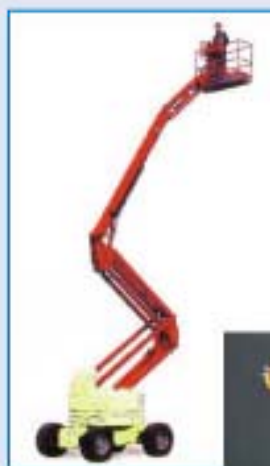
These pre-lubricated bearings are delivered with grease nipples, high quality seals and standardized bolt hole patterns.

## The benefits

- available from stock
- interchangeable
- large range of 21 items from 500 mm to 1200 mm with or without gear
- easy mounting
- high quality and reliability
- long service life
- high quality steel
- pre-lubricated
- easy to order through the SKF worldwide network

## The applications

SKF L'Shape bearings units provide an excellent solution in Material handling, Construction & Earth moving equipment, Machine tools, and other industrial equipment.



- Aerial work platforms

- Fork lift trucks



- Mobile cranes



- Workshop cranes

- Robots



- Industrial positioners



- Turntables

- Small excavators

- Material handling equipment



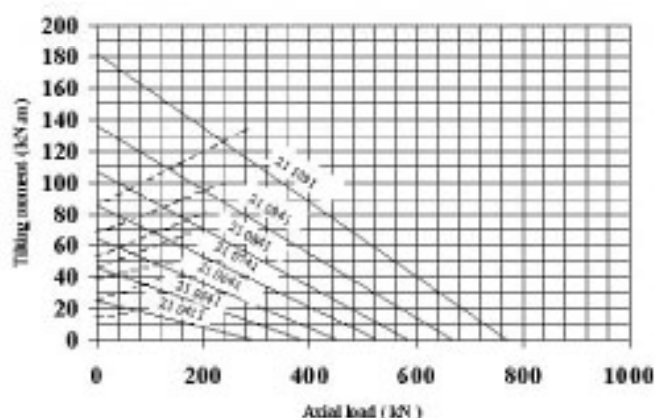
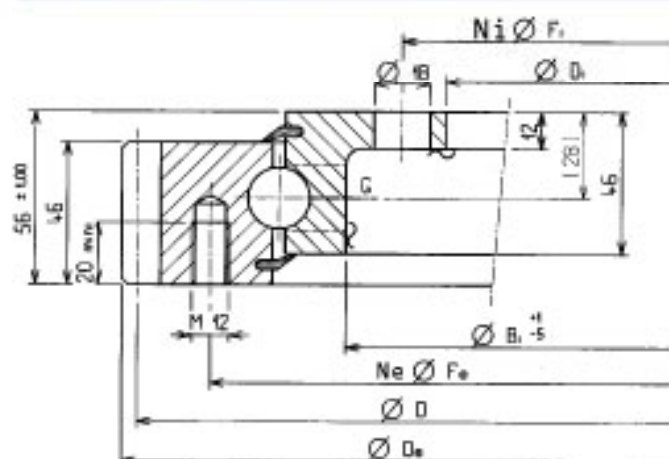
# Interchangeable

bearing type	SKF Reference	Equivalences		
external gear	RKS.21 0411	21 0411 01 ZZ 00	231 20 0400 013	VLA 20 0414 N
external gear	RKS.21 0541	21 0541 01 ZZ 00	231 20 0500 013	VLA 20 0544 N
external gear	RKS.21 0641	21 0641 01 ZZ 00	231 20 0600 013	VLA 20 0644 N
external gear	RKS.21 0741	21 0741 01 ZZ 00	231 20 0700 013	VLA 20 0744 N
external gear	RKS.21 0841	21 0841 01 ZZ 00	231 20 0800 013	VLA 20 0844 N
external gear	RKS.21 0941	21 0941 01 ZZ 00	231 20 0900 013	VLA 20 0944 N
external gear	RKS.21 1091	21 1091 01 ZZ 00	231 20 1000 013	VLA 20 1094 N
internal gear	RKS.22 0411	22 0411 01 ZZ 00	232 20 0400 013	VLI 20 0414 N
internal gear	RKS.22 0541	22 0541 01 ZZ 00	232 20 0500 013	VLI 20 0544 N
internal gear	RKS.22 0641	22 0641 01 ZZ 00	232 20 0600 013	VLI 20 0644 N
internal gear	RKS.22 0741	22 0741 01 ZZ 00	232 20 0700 013	VLI 20 0744 N
internal gear	RKS.22 0841	22 0841 01 ZZ 00	232 20 0800 013	VLI 20 0844 N
internal gear	RKS.22 0941	22 0941 01 ZZ 00	232 20 0900 013	VLI 20 0944 N
internal gear	RKS.22 1091	22 1091 01 ZZ 00	232 20 1000 013	VLI 20 1094 N
without gear	RKS.23 0411	23 0411 01 ZZ 00	230 20 0400 013	VLU 20 0414
without gear	RKS.23 0541	23 0541 01 ZZ 00	230 20 0500 013	VLU 20 0544
without gear	RKS.23 0641	23 0641 01 ZZ 00	230 20 0600 013	VLU 20 0644
without gear	RKS.23 0741	23 0741 01 ZZ 00	230 20 0700 013	VLU 20 0744
without gear	RKS.23 0841	23 0841 01 ZZ 00	230 20 0800 013	VLU 20 0844
without gear	RKS.23 0941	23 0941 01 ZZ 00	230 20 0900 013	VLU 20 0944
without gear	RKS.23 1091	23 1091 01 ZZ 00	230 20 1000 013	VLU 20 1094

## L'shape slewing bearings

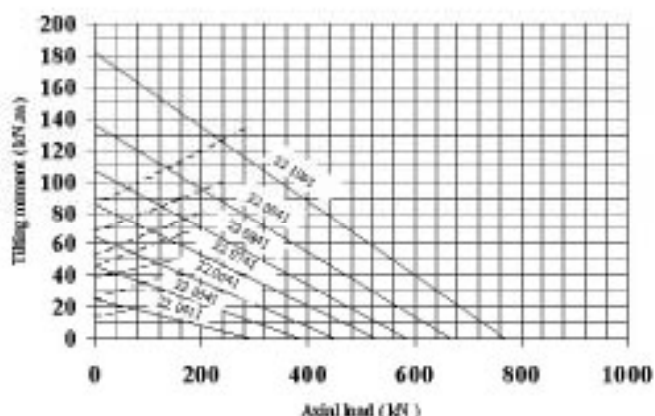
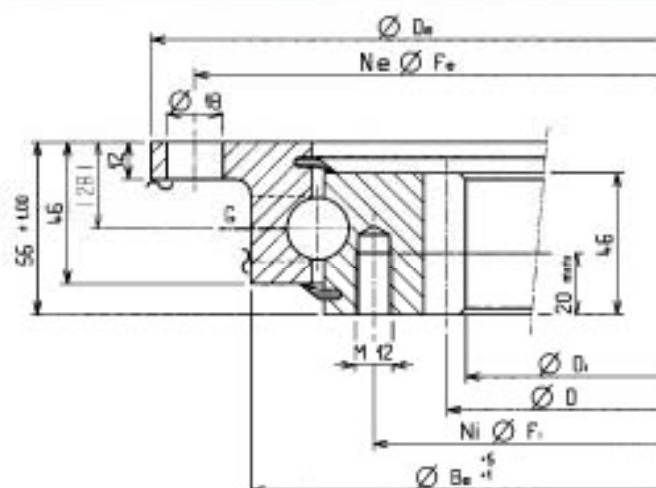
### External Gear

Main dimensions			Fixing holes				Gear teeth			Permissible tangential load maxi	Mass	References
De	Di	Bi	Fe	Ne	Fi	Ni	m	z	D			
mm	mm	mm	mm	mm			mm			Kn	kg	
505	304	388	455	10	332	12	5	99	495	33,8	32	RKS.21 0411
640	434	498	585	14	462	14	6	105	630	41	44	RKS.21 0541
742	534	598	685	15	562	16	6	122	732	41	52	RKS.21 0641
840	634	698	785	18	662	16	6	138	828	41	60	RKS.21 0741
950	734	798	885	18	762	18	8	117	936	55	68	RKS.21 0841
1046	834	898	985	20	862	20	8	129	1032	55	76	RKS.21 0941
1198	894	1048	1135	22	1012	20	8	148	1184	55	86	RKS.21 1091



### Internal Gear

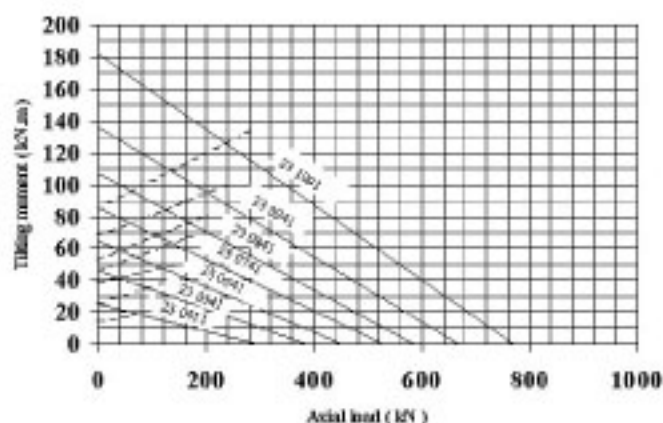
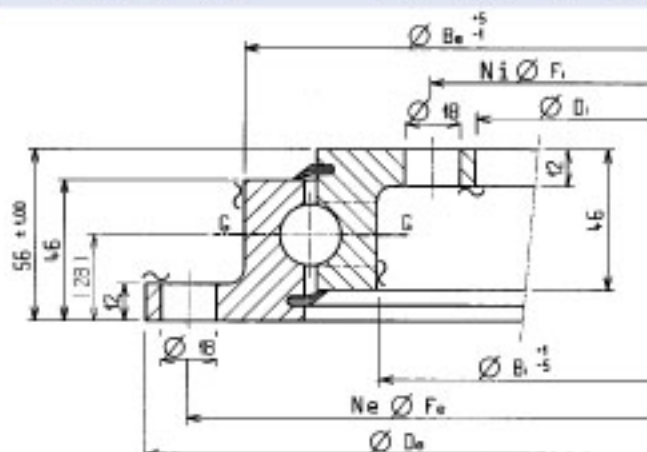
Main dimensions			Fixing holes				Gear teeth			Permissible tangential load maxi	Mass	References
De	Di	Bi	Fe	Ne	Fi	Ni	m	z	D			
mm	mm	mm	mm	mm			mm			Kn	kg	
518	325	454	490	8	375	12	5	67	335	32,4	31	RKS.22 0411
648	445	584	620	10	505	16	6	76	456	40,3	41	RKS.22 0541
748	546	684	720	12	605	18	6	93	558	40,3	48	RKS.22 0641
848	649	784	820	12	705	20	6	110	660	40,3	55	RKS.22 0741
948	736	884	920	14	805	20	8	94	752	54,3	63	RKS.22 0841
1048	840	984	1020	16	905	22	8	107	856	54,3	71	RKS.22 0941
1198	986	1134	1170	16	1055	24	8	125	1000	54,3	80	RKS.22 1091



# L'shape slewing bearings

Without gear

Main dimensions			Fixing holes					Mass	References
De	Di	Be	Bi	Fe	Ne	Fi	Ni		
mm	mm	mm	mm	mm		mm		kg	
518	304	454	368	490	8	332	12	23	RKS.23 0411
648	434	584	498	620	10	462	14	34	RKS.23 0541
748	534	684	598	720	12	562	16	40	RKS.23 0641
848	634	784	698	820	12	662	16	46	RKS.23 0741
948	734	884	798	920	14	762	18	52	RKS.23 0841
1048	834	984	898	1020	16	862	20	58	RKS.23 0941
1198	984	1134	1048	1170	16	1012	20	67	RKS.23 1091

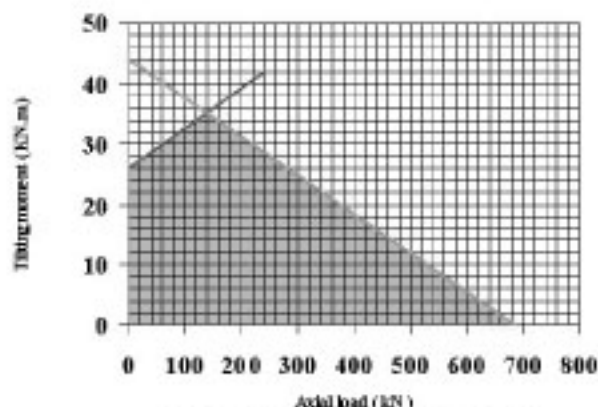


## How to use the limit curves

- Select for one bearing the associated load curve
- The solid line shows the utilization limit curve for the raceways
- The stippled line shows the utilization limit curve for the bolting

## Product information valid for the 3 types of L'Shape slewing bearings

- **Range** : from 500 mm to 1200 mm external diameter
- **Steel** : high quality steel, XC 45 improved
- **Lubrication** : L'shape slewing bearings are pre-lubricated with a lithium soap, EP additives and a consistency of 2
- **Bolting class** : 10.9 recommended
- **Grease nipples** : four equally grease nipples (M8x1.00) (G)
- **High quality raceways hardening**
- L'Shape slewing bearings with special holes or without holes for attachment bolts: please contact your SKF representative
- **Mounting and Maintenance** : see SKF Technical Information 202



The running conditions must fall in the grey area

## AXIAL CLEARANCE UNDER LOAD

average diameter	reference load	maximum deflection (average measurement on 3 points)	maximum measurement on 1 point
mm	N	mm	mm
411	200	0,30	0,40
541	200	0,30	0,40
641	250	0,35	0,45
741	300	0,35	0,45
841	300	0,40	0,50
941	400	0,45	0,55
1091	400	0,50	0,60

© Copyright SKF 2001

The contents of this publication are the copyright of the publishers and may not be reproduced (even extracts) unless permission is granted. Every care has been taken to ensure the accuracy of the information contained in this publication but no liability can be accepted for any errors or omissions.

Publication 4030 E - Reg. 471 8-2001.05

Printed in France by Polygraph - Reims

# Other SKF slewing bearings products

- ▶ In addition to this range SKF manufactures slewing bearings available from stock
  - from 200 to 2000 mm
  - cross roller or ball designs, with internal or external gearing, or without gearing.

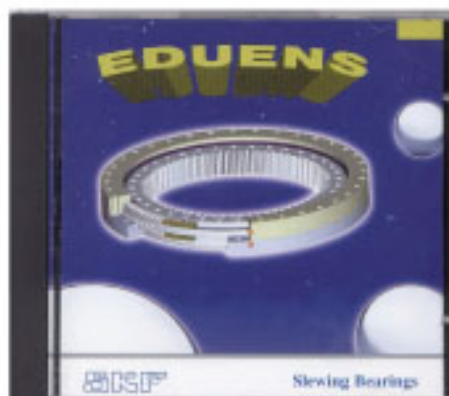
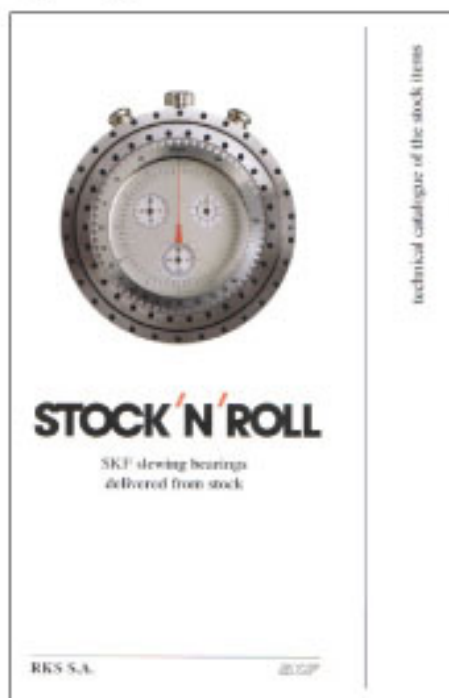
**More informations on these items will be found in the “stock’n’roll catalogue SKF slewing bearings delivered from stock” publication 4029 E.**

Such slewing bearings are used in the following equipment

- earth moving
- handling and lifting
- water treatment
- forestry
- special machine
- amusement park.

Full informations on SKF slewing bearings and their applications can be found in the **EDUENS CD ROM.**

Its allow you to make a quick selection among a thousand and choose the one that suit the best your needs. Please ask for your CD.



- ▶ Custom made SKF slewing bearings from 400 mm up to 14 meters are designed to meet customers requirements for excavators, tower and heavy cranes, windmill, defence, offshore buoys and cranes, tunnel boring machines, ...

**For more informations about the  
SKF slewing bearings products  
Please contact your local SKF  
Representative**