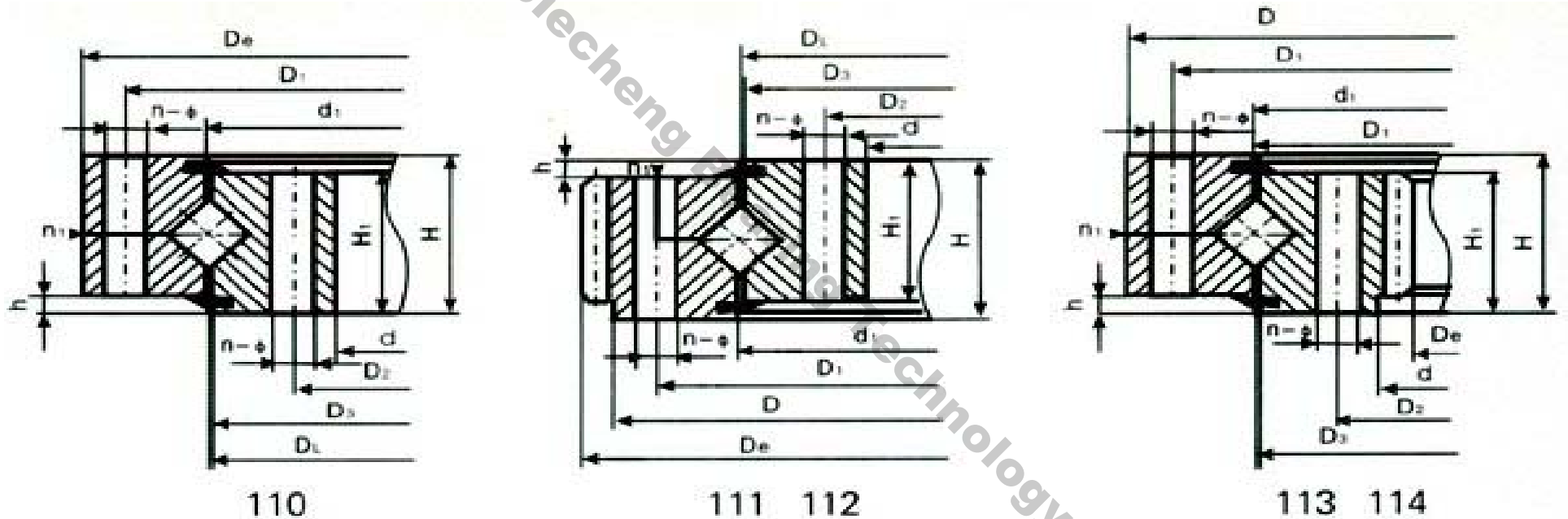


Cross roller Slewing Ring Bearing



Boundary Dimensions			Bolt Hole Diameter				Structure Dimensions						Gear Parameters						Basic Load Ratings	Wt	Designations			
D	d	H	D1	D2	n	φ	D3	d1	H1	h	n3	φ3	m	Da	Z	da	Z	b	x	Coa		Non-Gear Type	External Gear Type	Internal Gear Type
mm			mm			mm	mm					mm		mm		mm			10 ⁴ N	kg				
602	398	75	566	434	20	18	499	501	65	10	4	M10×1	5	630	123	365	74	60	0.5	104	80	110.25.500.**	111.25.500.**	113.25.500.**

602	398	75	556	434	20	18	499	501	65	10	4	M10×1	6	630	120	360	62	60	0.5	104	80		112.25.500.**	114.25.500.**
662	458	75	626	494	20	18	558.5	561.5	65	10	4	M10×1	5	690	135	425	86	60	0.5	116	90	110.25.560.**	111.25.500.**	113.25.560.**
662	458	75	626	494	20	18	558.5	561.5	65	10	4	M10×1	6	690	112	426	112	60	0.5	116	90		112.25.560.**	114.25.560.**
732	528	75	696	564	24	18	628.5	631.5	65	10	4	M10×1	6	774	126	492	83	60	0.5	130	100	110.25.630.**	111.25.630.**	113.25.630.**
732	528	75	696	564	24	18	628.5	631.5	65	10	4	M10×1	8	776	94	488	62	60	0.5	130	100		112.25.630.**	114.25.630.**
812	608	75	776	644	24	18	708.5	711.5	65	10	4	M10×1	6	852	139	570	96	60	0.5	149	110	110.25.710.**	111.25.710.**	113.25.710.**
812	608	75	776	644	24	18	708.5	711.5	65	10	4	M10×1	8	856	104	568	72	60	0.5	149	110		112.25.710.**	114.25.710.**
922	678	82	878	722	30	22	798.5	801.5	72	10	6	M10×1	8	968	118	632	80	65	0.5	185	170	110.28.800.**	111.28.800.**	113.28.800.**
922	678	82	878	722	30	22	798.5	801.5	72	10	6	M10×1	10	970	94	630	64	65	0.5	185	170		112.28.800.**	114.28.800.**
1022	778	82	978	822	30	22	898.5	901.5	72	10	6	M10×1	8	1064	130	736	93	65	0.5	209	190	110.28.900.**	111.28.900.**	113.28.900.**
1022	778	82	978	822	30	22	898.5	901.5	72	10	6	M10×1	10	1070	104	730	74	65	0.5	209	190		112.28.900.**	114.28.900.**
1122	878	82	1078	922	36	22	998.5	1001.5	72	10	6	M10×1	10	1190	116	820	83	65	0.5	233	210	110.28.1000.**	111.28.1000.**	113.28.1000.**
1122	878	82	1078	922	36	22	998.5	1001.5	72	10	6	M10×1	12	1188	96	816	69	65	0.5	233	210		112.28.1000.**	114.28.1000.**
1242	998	82	1198	1042	36	22	1118	1122	72	10	6	M10×1	10	1300	127	940	95	65	0.5	262	230	110.28.1120.**	111.28.1120.**	113.28.1120.**
1242	998	82	1198	1042	36	22	1118	1122	72	10	6	M10×1	12	1308	106	936	79	65	0.5	262	230		112.28.1120.**	114.28.1120.**
1390	1110	91	1337	1163	40	26	1248	1252	81	10	6	M10×1	12	1452	118	1044	88	75	0.5	321	350	110.32.1250.**	111.32.1250.**	113.32.1250.**
1390	1110	91	1337	1163	40	26	1248	1252	81	10	6	M10×1	14	1456	101	1036	75	75	0.5	321	350		112.32.1250.**	114.32.1250.**
1540	1260	91	1487	1313	40	26	1398	1402	81	10	6	M10×1	12	1608	131	1188	100	75	0.5	358	400	110.32.1400.**	111.32.1400.**	113.32.1400.**
1540	1260	91	1487	1313	40	26	1398	1402	81	10	6	M10×1	14	1610	112	1190	86	75	0.5	358	400		112.32.1400.**	113.32.1400.**
1740	1460	91	1687	1513	45	26	1598	1602	81	10	8	M10×1	14	1820	127	1386	100	75	0.5	412	440	110.32.1600.**	111.32.1600.**	113.32.1600.**
1740	1460	91	1687	1513	45	26	1598	1602	81	10	8	M10×1	16	1824	111	1376	87	75	0.5	412	440		112.32.1600.**	114.32.1600.**
1940	1660	91	1887	1713	45	26	1798	1802	81	10	8	M10×1	14	2016	141	1568	113	75	0.5	460	500	110.32.1800.**	111.32.1800.**	113.32.1800.**
1940	1660	91	1887	1713	45	26	1798	1802	81	10	8	M10×1	14	2016	123	1568	99	75	0.5	460	500		112.32.1800.**	114.32.1800.**
2002	1665	156	1940	1720	54	30	1827	1833	128	28	6	M10×1	12	-	-	1610	135	100	0.5	571	912			113.45.1830.11
2178	1825	112	2110	1891	48	33	1998	2002	100	12	8	M10×1	16	2272	139	1728	109	90	0.5	686	900	110.40.2000.**	111.40.2000.**	113.40.2000.**

2178	1825	112	2110	1891	48	33	1998	2002	100	12	8	M10×1	18	2268	123	1728	97	90	0.5	686	900	110.40.2000.12	112.40.2000.**	114.40.2000.**	
2178	1825	112	2110	1891	48	33	1991	1995	100	12	8	M10×1	-	-	-	-	-	-	-	-	635		767		
2418	2065	112	2350	2131	48	33	2237.5	2242.5	100	12	8	M10×1	16	2496	153	1984	125	90	0.5	764	1000	110.40.2240.**	111.40.2240.**	113.40.2240.**	
2418	2065	112	2350	2131	48	33	2237.5	2242.5	100	12	8	M10×1	18	2502	136	1980	111	90	0.5	764	1000			112.40.2240.**	114.40.2240.**
2678	2325	112	2610	2391	56	33	2497.5	2502.5	100	12	8	M10×1	18	2772	151	2232	125	90	0.5	797	876	110.40.2500.**	111.40.2500.**	113.40.2500.**	
2678	2325	112	2610	2391	56	33	2497.5	2502.5	100	12	8	M10×1	20	2780	136	2220	112	90	0.5	797	876			112.40.2500.**	114.40.2500.**
2678	2325	112	2610	2391	56	33	2498.5	2501.5	100	112	8	M10×1	-	-	-	-	-	-	-	-	1000		876		112.40.2500.12K
2978	2625	112	2910	2691	56	33	2497.5	2802.5	100	12	8	M10×1	18	3078	168	2520	141	90	0.5	960	1250	110.40.2800.**	111.40.2800.**	113.40.2800.**	
2978	2625	112	2910	2691	56	33	2497.5	2802.5	100	12	8	M10×1	20	3080	151	2520	127	90	0.5	960	1250			112.40.2800.**	114.40.2800.**
3376	2922	134	3286	3014	56	45	3147.5	3152.5	122	12	8	M10×1	20	3480	171	2820	142	110	0.5	1380	2150	110.50.3150.**	111.50.3150.**	113.50.3150.**	
3376	2922	134	3286	3014	56	45	3147.5	3152.5	122	12	8	M10×1	22	3476	155	2816	129	110	0.5	1380	2150			112.50.3150.**	114.50.3150.**
3776	3322	134	3686	3414	56	45	3547.5	3552.5	122	12	8	M10×1	20	3880	191	3220	162	110	0.5	1570	2470	110.50.3550.**	111.50.3550.**	113.50.3550.**	
3776	3322	134	3686	3414	56	45	3547.5	3552.5	122	12	8	M10×1	22	3894	174	3212	147	110	0.5	1570	2470			112.50.3550.**	114.50.3550.**
3776	3322	134	3686	3414	56	45	3548	3552	122	12	8	M10×1	20	3880	191	-	-	110	0.5	1475	2464			111.52.3550.12	
4226	3772	134	4136	3864	60	45	3997.5	4002.5	122	12	10	M10×1	22	4334	194	3652	167	110	0.5	1760	2800	110.50.4000.**	111.50.4000.**	113.50.4000.**	
4226	3772	134	4136	3864	60	45	3997.5	4002.5	122	12	10	M10×1	25	4350	171	3650	147	110	0.5	1760	2800			112.50.4000.**	114.50.4000.**
4726	4272	134	4636	4364	60	45	4497.5	4502.5	122	12	10	M10×1	22	4940	217	4158	190	110	0.5	1980	3100	110.50.4500.**	111.50.4500.**	113.50.4500.**	
4726	4272	134	4636	4364	60	45	4497.5	4502.5	122	12	10	M10×1	25	4850	191	4150	167	110	0.5	1980	3100			112.50.4500.**	114.50.4500.**

Phosphy Co., Ltd