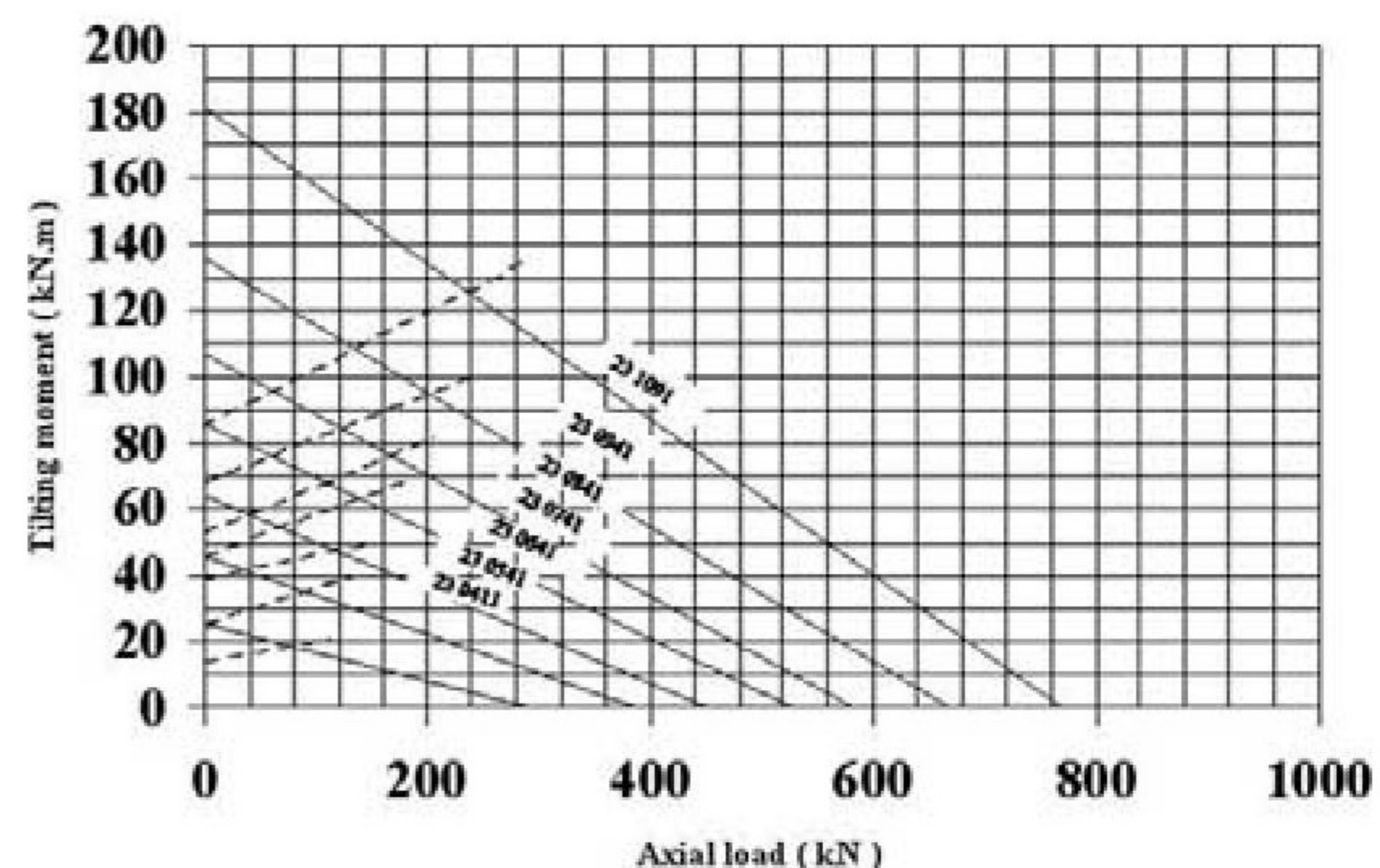
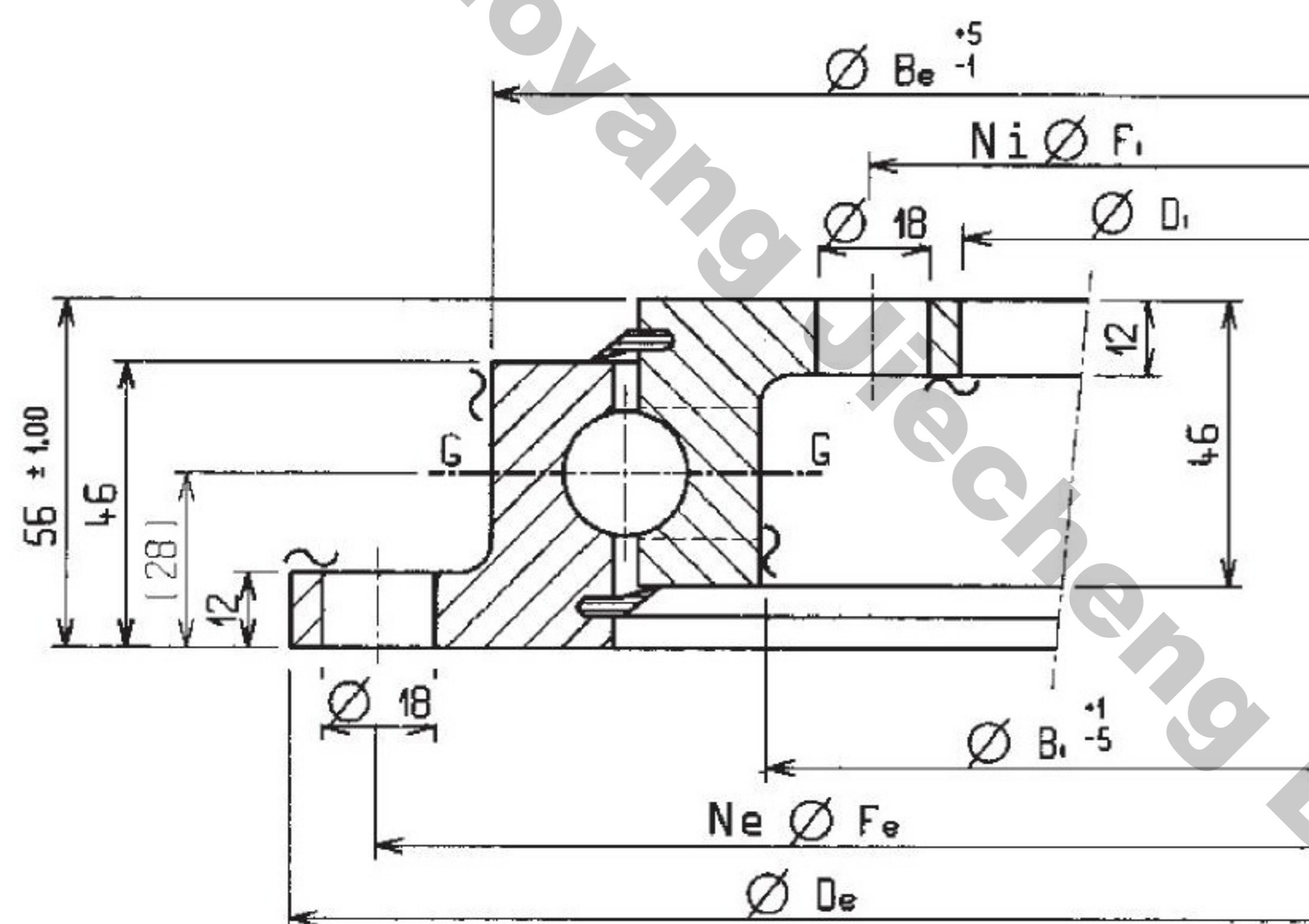


L'shape range Without gear



Main dimensions			Fixing holes					Mass	designation
De	Di	Be	Bi	Fe	Ne	Fi	Ni		
mm	mm	mm	mm	mm		mm		kg	
518	304	454	368	490	8	332	12	23	RKS.23 0411
648	434	84	498	620	10	462	14	34	RKS.23 0541
748	534	684	598	720	12	562	16	40	RKS.23 0641
848	634	784	698	820	12	662	16	46	RKS.23 0741
948	734	884	798	920	14	762	18	52	RKS.23 0841
1048	834	984	898	1020	16	8625	20	58	RKS.23 0941
1198	984	1134	1048	1170	16	1012	20	67	RKS.23 1091