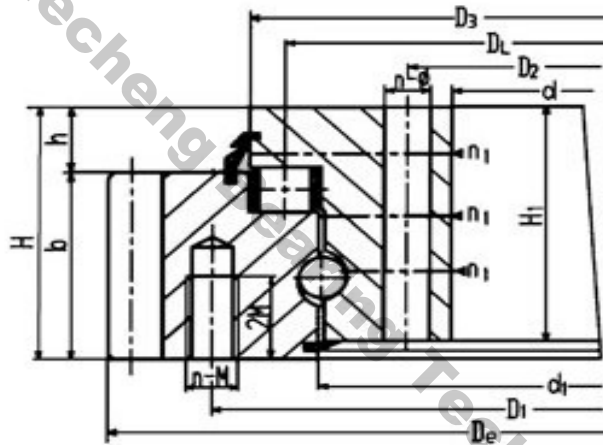


[Luoyang Jiecheng Bearing Technology Co., Ltd](http://www.luoyangjiecheng.com)

Tel:0086-379-68611678 Fax:0086-379-68611679 Email: sales@jcb-bearing.com

Ball and roller Slewing Ring Bearing

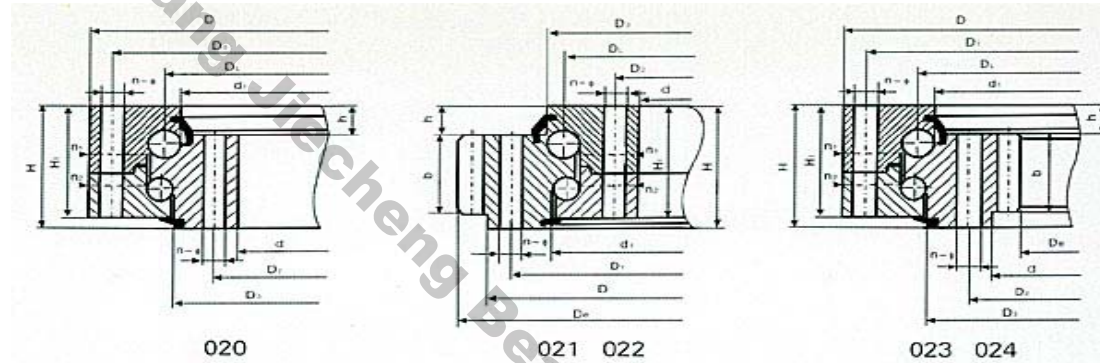


Bearing Number	Boundary Dimensions			Bolt Hole Diameter					Structure Dimensions					Gear Parameters				Tangential		重量	
	D_e	d	H	D_1	D_2	n	ϕ	M	n_1	D_3	d_1	H_1	h	b	m	Z	x	k	normalizing	tempering	kg
	mm	mm	mm	mm	mm		mm	mm		mm	mm	mm	mm	mm					mm	mm	
221.32.3550.**	3772.8	3358	159	3638	3418	76	30	27	10	3591	3509	143	50	109	16	232	1	0.1	160	320	2028

221.32.3750.**	3980.8	3558	159	3846	3618	80	30	27	10	3791	3709	143	50	109	16	246	0.5	0.1	160	320	2186
221.32.4000.**	4220.8	3808	159	4086	3868	84	30	27	12	4041	3959	143	50	109	16	261	0.5	0.1	160	320	2278
221.32.4250.**	4476.8	4058	159	4342	4118	90	30	27	12	4291	4209	143	50	109	16	276	1	0.1	160	320	2455
221.36.4000.**	4244.4	3792	175	4095	3858	76	33	30	12	4045	3955	159	50	125	18	232	1	0.1	196	391	2792
221.36.4250.**	4496.4	4042	175	4347	4108	80	33	30	12	4295	4205	159	50	125	18	247	0.5	0.1	196	391	2981
221.36.4500.**	4748.4	4292	175	4599	4358	84	33	30	14	4545	4455	159	50	125	18	261	0.5	0.1	196	391	3171
221.36.4750.**	5000.4	4542	175	4851	4608	90	33	30	14	4795	4705	159	50	125	18	275	0.5	0.1	196	391	3363
221.40.4500.**	4776	4276	183	4612	4348	72	36	33	14	4550	4450	167	50	133	20	236	0.5	0.1	231	463	3673
221.40.4750.**	5016	4526	183	4852	4598	76	36	33	14	4800	4700	167	50	133	20	248	0.5	0.1	231	463	3796

Luoyang Jiecheng Bearing Technology Co., Ltd

Double row angular contact ball slewing ring bearing



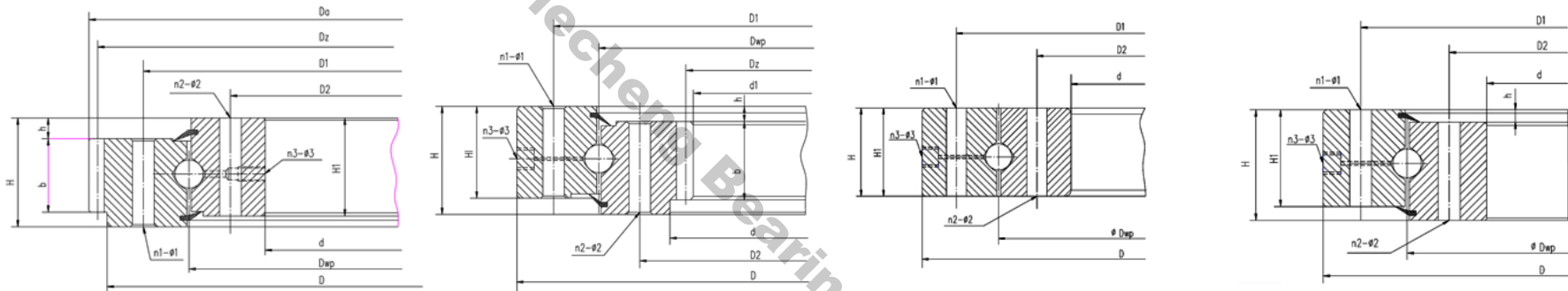
Bearing Number			Boundary Dimensions			Bolt Hole Diameter			Structure Dimensions				Gear Parameters			Ex-Gear Parameters		In-Gear Parameters		Tangential		Wt						
Without Gear	External Gear	Internal Gear	D	d	H	D1	D2	n	Φ	n1	Ex-Gear	In-Gear	H1	h	b	x	m	De	Z	De	Z	norm alizin	temperi ng	(kg)				
			mm	mm	mm	mm	mm		mm		mm	mm						mm		mm		mm	mm		Z	Z	Z	T
											D3/d1	D3/d1																
020. 25. 500	021. 25. 500	023. 25. 500	616	384	106	580	420	20	18	4	523	482	96	26	60	0.5		644	126	357	72	3.7	5.2	127				
	022. 25. 500	024. 25. 500									518	477						646.8	105	350.4	59	4.5	6.2					
0. 20. 25. 560	0. 21. 25. 560	0. 23. 25. 560	676	444	106	640	480	20	18	4	583	542	96	26	60	0.5		704	138	417	84	3.7	5.2	144				
	0. 22. 25. 560	0. 24. 25. 560									578	537						706.8	115	410.4	69	4.5	6.2					
020. 25. 630	021. 25. 630	023. 25. 630	746	514	106	710	550	24	18	4	653	612	96	26	60	0.5		790.8	129	782.4	81	4.5	6.2	161				
	022. 25. 630	024. 25. 630									648	607						790.4	96	475.2	60	6	8.3					
020. 25. 710	021. 25. 710	023. 25. 710	826	594	106	790	630	24	18	4	733	692	96	26	60	0.5		862.8	141	560.4	94	4.5	6.2	184				
	022. 25. 710	024. 25. 710									728	687						862.4	105	555.2	70	6	8.3					
020. 30. 800	021. 30. 800	023. 30. 800	942	658	124	898	702	30	22	6	829	777	114	29	80	0.5	8	982.4	120	619.2	78	8	11.1	300				

	022.30.800	024.30.800									823	771					10	988	96	614	62	10	14.1	
020.30.900	021.30.900	023.30.900	1042	758	124	998	802	30	22	6	929	877	114	29	80	0.5	8	1086.4	133	415.2	90	8	11.1	336
	022.30.900	024.30.900									923	871					10	1088	106	714	72	10	14	
020.30.1000	021.30.1000	023.30.1000	1142	858	124	1098	902	36	22	6	1029	977	114	29	80	0.5	10	1198	117	814	82	10	14	377
	022.30.1000	024.30.1000									1023	971					12	1197.6	97	796.8	67	12	16.7	
020.30.1120	021.30.1120	023.30.1120	1262	978	124	1218	1022	36	22	6	1148	1097	114	29	80	0.5	10	1318	129	924	93	10	14	430
	022.30.1120	024.30.1120									1143	1091					12	1317.6	107	916.8	77	12	16.7	
020.40.1250	021.40.1250	023.40.1250	1426	1074	160	1374	1126	40	26	5	1286	1215	150	39	90	0.5	12	1497.6	122	1012.8	85	13.5	18.8	743
	022.40.1250	024.40.1250									1282	1214					14	1495.2	104	1013.6	73	15.8	21.9	
020.40.1400	021.40.1400	023.40.1400	1576	1224	160	1524	1272	40	26	5	1436	1365	150	39	90	0.5	12	1641.6	134	1156.8	97	13.5	18.8	850
	022.40.1400	024.40.1400									1432	1364					14	1649.2	115	1153.6	83	15.8	21.9	
020.40.1600	021.40.1600	023.40.1600	1776	1424	160	1724	1424	45	26	5	1636	1565	150	39	90	0.5	14	1845.2	129	1349.6	97	15.8	21.9	975
	022.40.1600	024.40.1600									1635	1564					16	1852.8	113	1350.4	85	18.1	25	
020.40.1800	021.40.1800	023.40.1800	1976	1624	160	1924	1624	45	26	5	1836	1765	150	39	90	0.5	14	2055.2	144	1545.6	111	15.8	21.9	1117
	022.40.1800	024.40.1800									1765	1764					16	2060.8	126	1542.4	97	18.1	25	
020.50.2000	021.50.2000	023.50.2000	2215	1785	190	2149	1785	48	33	8	2038	1965	178	47	120	0.5	16	2300.8	141	1702.4	107	24.1	33.3	1733
	022.50.2000	024.50.2000									2035	1962					18	2300.4	125	1699.2	95	27.1	37.5	
020.50.2240	021.50.2240	023.50.2240	2455	2025	190	2389	2025	48	33	8	2278	2206	178	47	120	0.5	16	2540.8	156	1942.4	122	24.1	33.3	1960
	022.50.2240	024.50.2240									2206	2202					18	2552.4	139	1933.2	108	27.1	37.5	
020.50.2500	021.50.2500	023.50.2500	2715	2285	190	2649	2285	56	33	8	2538	2465	178	47	120	0.5	18	2804.4	153	2203.2	123	27.1	37.5	2185
	022.50.2500	024.50.2500									2532	2462					20	2816	138	2188	110	30.1	41.8	
020.50.2800	021.50.2800	023.50.2800	3015	2585	190	2949	2585	56	33	8	2838	2765	178	47	120	0.5	18	3110.4	170	2491.2	139	27.1	37.5	2485
	022.50.2800	024.50.2800									2832	2762					20	3116	153	2488	125	30.1	41.8	
020.60.3150	021.60.3150	023.60.3150	3428	2872	226	3338	2872	56	45	8	3198	3104	214	56	150	0.5	20	3536	174	2768	139	37.7	52.2	4150
	022.60.3150	024.60.3150									3196	3102					22	3537.6	158	2758.8	126	41.5	57.4	
020.60.3550	021.60.3550	023.60.3550	3828	3272	226	3738	3272	56	45	8	3598	3504	214	56	150	0.5	20	3936	194	3168	159	37.7	52.2	4665
	022.60.3550	024.60.3550									3596	3502					22	3933.6	176	3176.8	145	41.5	57.4	
020.60.4000	021.60.4000	023.60.4000	4278	3722	226	4188	3722	60	45	10	4048	3954	214	56	150	0.5	22	4395.6	197	3618.8	165	41.5	57.4	5305
	022.60.4000	024.60.4000									4046	3952					25	4395	173	3610	145	47.1	65.2	
020.60.4500	021.60.4500	023.60.4500	4778	4222	226	4688	4222	60	45	10	4548	4454	214	56	150	0.5	22	4879.6	219	4122.8	188	41.5	57.4	5981
	022.60.4500	024.60.4500									4546	4452					25	4895	193	4410	165	47.1	65.2	

Luoyang Jiecheng Bearing Technology Co., Ltd

Tel:0086-379-68611678 Fax:0086-379-68611679 Email: sales@jcb-bearing.com

Four-Point Contact Ball Slewing Bearing



Dimensions			Bolt Hole Diameter				Structure Dimensions						Gear Parameters							Basic Load Ratings	Wt	Bearing Number		
D	d	H	D1	D2	n	φ	D3	d1	H1	h	n3	φ3	m	Da	Z	da	Z	b	x	Coa	kg	Without Gear	External Gear	Internal Gear
mm			mm			mm	mm					mm		mm	mm	mm	mm	mm	mm	mm				
602	398	80	566	434	20	18	498.5	501.5	70	10	4	M10×1	5	630	123	365	74	60	0.5	129	75.8	010.30.500.12	011.30.500.**	013.30.500.**
602	398	80	566	434	20	18	498.5	501.5	70	10	4	M10×1	6	630	102	366	62	60	0.5	129	75.8		012.30.500.**	014.30.500.**
662	458	80	626	494	20	18	558.5	561.5	70	10	4	M10×1	5	690	135	425	86	60	0.5	144	94	010.30.560.**	011.30.560.**	013.30.560.**

662	458	80	626	494	20	18	558.5	561.5	70	10	4	M10×1	6	690	112	426.517	72	60	0.5	144	94		012.30.560.**	014.30.560.12	
732	528	80	696	564	24	18	628.5	631.5	70	10	4	M10×1	6	774	126	492	83	60	0.5	187	110	010.30.630.**	011.30.630.**	013.30.630.**	
732	528	80	696	564	24	18	628.5	631.5	70	10	4	M10×1	8	776	94	488	62	60	0.5	187	110			012.30.630.**	014.30.630.**
812	608	80	776	644	24	18	708.5	711.5	70	10	4	M10×1	6	852	139	570	86	60	0.5	212	120	010.30.710.**	011.30.710.**	013.30.710.**	
812	608	80	776	644	24	18	708.5	711.5	70	10	4	M10×1	8	856	104	568	72	60	0.5	212	120			012.30.710.**	014.30.710.**
1098	893	90	1060	845	48	22	956.5	953.5	71	19	6	M10×1									270	126	010.30.955.11		
922	678	100	878	722	30	22	798.5	801.5	90	10	6	M10×1	8	968	118	632	80	80	0.5	313	256	010.40.800.**	011.40.800.**	013.40.800.12	
922	678	100	878	722	30	22	798.5	801.5	90	10	6	M10×1	10	970	94	630	64	80	0.5	313	256			012.40.800.**	014.40.800.**
1022	778	100	978	822	30	22	898.5	901.5	90	10	6	M10×1	8	1064	130	736	93	80	0.5	355	240	010.40.900.**	011.40.900.**	013.40.900.**	
1022	778	100	978	822	30	22	898.5	901.5	90	10	6	M10×1	10	1070	104	730	74	80	0.5	355	240			012.40.900.**	014.40.900.**
1122	878	100	1078	922	36	22	998.5	1001.5	90	10	6	M10×1	10	1190	116	820	83	80	0.5	394	305	010.40.1000.**	011.40.1000.12	013.40.1000.**	
1122	878	100	1078	922	36	22	998.5	1001.5	90	10	6	M10×1	12	1188	96	816	69	80	0.5	394	305			012.40.1000.**	014.40.1000.**
1242	998	100	1198	1042	36	22	1118	1122	90	10	6	M10×1	10	1300	127	940	95	80	0.5	443	300	010.40.1120.**	011.40.1120.**	013.40.1120.**	
1242	998	100	1198	1042	36	22	1118	1122	90	10	6	M10×1	12	1308	106	936	79	80	0.5	443	300			012.40.1120.**	014.40.1120.**
1242	998	100	1198	1042	18	22	1118.5	1121.5	90	10	6	M10×1	10	1300	127			80	0.5	334	352			011.40.1120.12	-
1242	998	100	1198	1042	36	22	1118	1121	90	10	6	M10×1	10	1298	127			80	0.5	334	334			012.40.1120.12	-
1390	1110	110	1337	1163	40	26	1248	1252	100	10	6	M10×1	12	1452	118	1044	88	90	0.5	554	420	010.45.1250.**	011.45.1250.**	013.45.1250.**	
1390	1110	110	1337	1163	40	26	1248	1252	100	10	6	M10×1	14	1456	101	1036	75	90	0.5	554	420			012.45.1250.**	014.45.1250.**
1540	1260	110	1487	1313	40	26	1398	1402	100	10	6	M10×1	12	1608	131	1188	100	90	0.5	617	480	010.45.1400.**	011.45.1400.**	013.45.1400.**	
1540	1260	110	1487	1313	40	26	1398	1402	100	10	6	M10×1	14	1610	112	1190	86	90	0.5	617	480			012.45.1400.**	014.45.1400.**

1740	1460	110	1687	1513	45	26	1598	1602	100	10	8	M10×1	14	1820	127	1386	100	90	0.5	702	550	010.45.1600.**	011.45.1600.**	013.45.1600.**
1740	1460	110	1687	1513	45	26	1598	1602	100	10	8	M10×1	16	1824	111	1376	87	90	0.5	702	550		012.45.1600.**	014.45.1600.**
1940	1660	110	1887	1713	45	26	1798	1802	100	10	8	M10×1	14	2016	141	1568	113	90	0.5	793	610	010.45.1800.**	011.45.1800.**	013.45.1800.**
1940	1660	110	1887	1713	45	26	1798	1802	100	10	8	M10×1	16	2016	123	1568	99	90	0.5	793	610		012.45.1800.**	014.45.1800.**
1940	1660	110	1887	1713	45	26	1798	1802	100	10	5	M10×1	14	2016	141			100	0.5	594	684		011.45.1800.05	
2178	1825	144	2110	1891	48	33	1998	2002	132	12	8	M10×1	16	2272	139	1728	109	120	0.5	1210	1100	010.60.2000.**	011.60.2000.**	013.60.2000.**
2178	1825	144	2160	1825	45	33	1998	2002	132	12	8	M10×1	16	2240	139	-	-	120	0.5	1122	970		012.60.2000.12	
2178	1825	144	2110	1891	48	33	1998	2002	132	12	8	M10×1	18	2268	123	1728	97	120	0.5	1210	1100		012.60.2000.**	014.60.2000.**
2418	2065	144	2350	2131	48	33	2237.5	2245.5	132	12	8	M10×1	16	2496	153	1984	125	120	0.5	1350	1250	010.60.2240.**	011.60.2240.**	013.60.2240.**
2418	2065	144	2350	2131	48	33	2237.5	2245.5	132	12	8	M10×1	18	2502	136	1980	111	120	0.5	1350	1250		012.60.2240.**	014.60.2240.**
2678	2325	144	2610	2391	56	33	2497.5	2502.5	132	12	8	M10×1	18	2772	151	2232	125	120	0.5	1500	1400	010.60.2500.**	011.60.2500.**	013.60.2500.**
2678	2325	144	2610	2391	56	33	2497.5	2502.5	132	12	8	M10×1	20	2780	136	2220	112	120	0.5	1500	1400		012.60.2500.**	014.60.2500.**
2678	2325	144	2610	2391	56	33	2498	2502	132	12	8	M10×1	18	2770	151	-	-	120	0.5	820	890		011.40.2500.12	
2978	2625	144	2910	2691	56	33	2797.5	2802.5	132	12	8	M10×1	18	3078	168	2520	141	120	0.5	1680	1600	010.60.2800.**	011.60.2800.**	013.60.2800.**
2978	2625	144	2910	2691	56	33	2797.5	2802.5	132	12	8	M10×1	20	3080	151	2520	127	120	0.5	1680	1600		012.60.2800.**	014.60.2800.**
3376	2922	174	3286	3014	56	45	3147.5	3152.5	162	12	8	M10×1	20	3480	171	2820	142	150	0.5	2380	2800	010.75.3150.**	011.75.3150.**	013.75.3150.**
3376	2922	174	3286	3014	56	45	3147.5	3152.5	162	12	8	M10×1	22	3476	115	2816	129	150	0.5	2380	2800		012.75.3150.**	014.75.3150.**
3776	3322	174	3686	3414	56	45	3547.5	3552.5	162	12	8	M10×1	20	3880	191	3220	162	150	0.5	2690	3200	010.75.3550.**	011.75.3550.**	013.75.3550.**
3776	3322	174	3686	3414	56	45	3547.5	3552.5	162	12	8	M10×1	22	3894	174	3212	147	150	0.5	2690	3200		012.75.3550.**	014.75.3550.**
4226	3772	174	4136	3864	60	45	3997.5	4002.5	162	12	10	M10×1	22	4334	194	3652	167	150	0.5	3020	3600	010.75.4000.**	011.75.4000.**	013.75.4000.**
4226	3772	174	4136	3864	60	45	3997.5	4002.5	162	12	10	M10×1	25	4350	171	3650	147	150	0.5	3020	3600		012.75.4000.**	014.75.4000.**

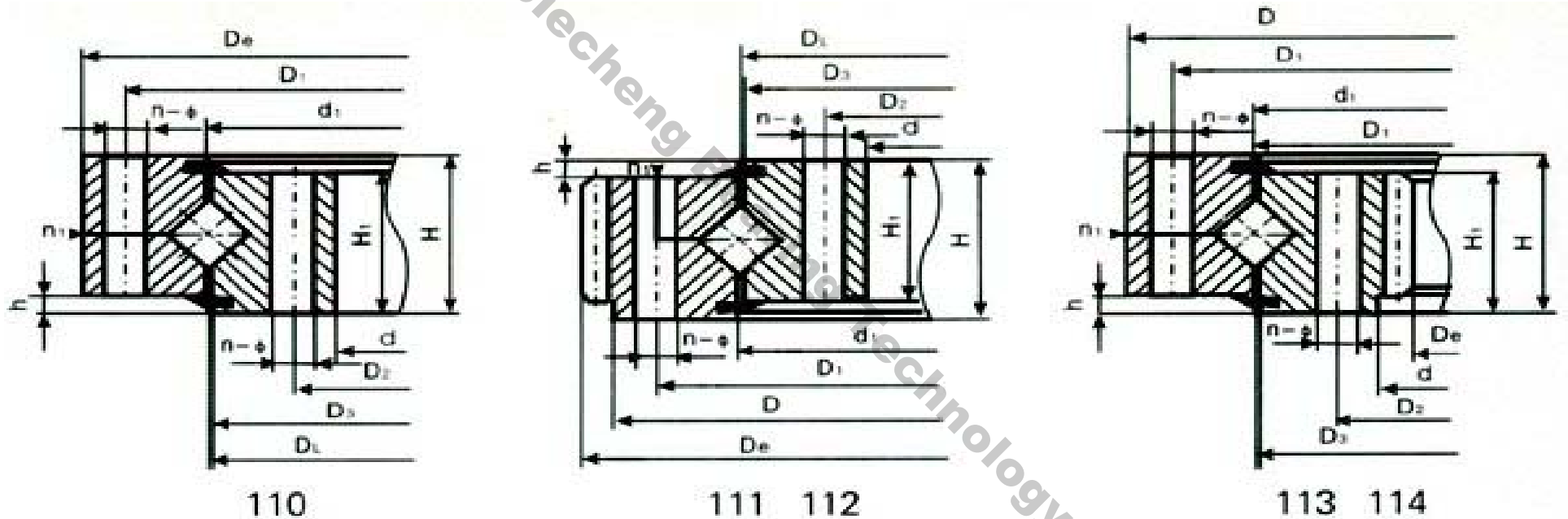
4726	4272	174	4636	4364	60	45	4497.5	4502.5	162	12	10	M10×1	22	4840	271	4158	190	150	0.5	3410	4000	010.75.4500.**	011.75.4500.**	013.75.4500.**
4726	4272	174	4636	4364	60	45	4497.5	4502.5	162	12	10	M10×1	25	4850	191	4150	167	150	0.5	3410	4000		012.75.4500.**	014.75.4500.**

Remark: ** means different material:

01-----45BT, 02-----45BZ, 03-----42CrMoT, 04-----42CrMoZ, 05-----5CrMnMoT, 06-----5CrMnMoZ
07-----42SiMnT, 08-----42SiMnZ, 09-----45MnT, 10-----45MnZ, 11-----50MnT, 12-----50MnZ

Huoyang Jiecheng Bearing Technology Co., Ltd

Cross roller Slewing Ring Bearing



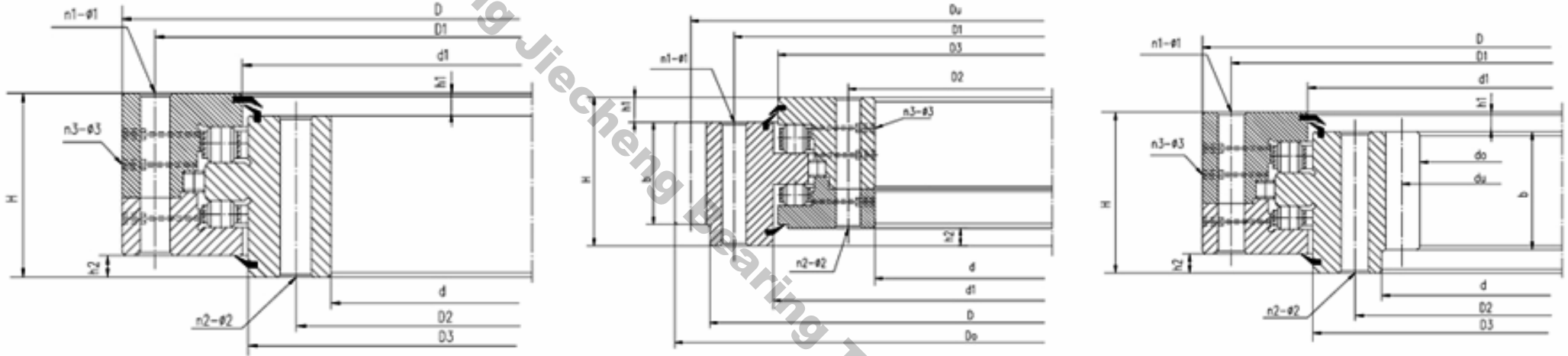
Boundary Dimensions			Bolt Hole Diameter				Structure Dimensions						Gear Parameters						Basic Load Ratings	Wt	Designations			
D	d	H	D1	D2	n	φ	D3	d1	H1	h	n3	φ3	m	Da	Z	da	Z	b	x	Coa		Non-Gear Type	External Gear Type	Internal Gear Type
mm			mm			mm	mm					mm		mm		mm			10 ⁴ N	kg				
602	398	75	566	434	20	18	499	501	65	10	4	M10×1	5	630	123	365	74	60	0.5	104	80	110.25.500.**	111.25.500.**	113.25.500.**

602	398	75	556	434	20	18	499	501	65	10	4	M10×1	6	630	120	360	62	60	0.5	104	80		112.25.500.**	114.25.500.**
662	458	75	626	494	20	18	558.5	561.5	65	10	4	M10×1	5	690	135	425	86	60	0.5	116	90	110.25.560.**	111.25.500.**	113.25.560.**
662	458	75	626	494	20	18	558.5	561.5	65	10	4	M10×1	6	690	112	426	112	60	0.5	116	90		112.25.560.**	114.25.560.**
732	528	75	696	564	24	18	628.5	631.5	65	10	4	M10×1	6	774	126	492	83	60	0.5	130	100	110.25.630.**	111.25.630.**	113.25.630.**
732	528	75	696	564	24	18	628.5	631.5	65	10	4	M10×1	8	776	94	488	62	60	0.5	130	100		112.25.630.**	114.25.630.**
812	608	75	776	644	24	18	708.5	711.5	65	10	4	M10×1	6	852	139	570	96	60	0.5	149	110	110.25.710.**	111.25.710.**	113.25.710.**
812	608	75	776	644	24	18	708.5	711.5	65	10	4	M10×1	8	856	104	568	72	60	0.5	149	110		112.25.710.**	114.25.710.**
922	678	82	878	722	30	22	798.5	801.5	72	10	6	M10×1	8	968	118	632	80	65	0.5	185	170	110.28.800.**	111.28.800.**	113.28.800.**
922	678	82	878	722	30	22	798.5	801.5	72	10	6	M10×1	10	970	94	630	64	65	0.5	185	170		112.28.800.**	114.28.800.**
1022	778	82	978	822	30	22	898.5	901.5	72	10	6	M10×1	8	1064	130	736	93	65	0.5	209	190	110.28.900.**	111.28.900.**	113.28.900.**
1022	778	82	978	822	30	22	898.5	901.5	72	10	6	M10×1	10	1070	104	730	74	65	0.5	209	190		112.28.900.**	114.28.900.**
1122	878	82	1078	922	36	22	998.5	1001.5	72	10	6	M10×1	10	1190	116	820	83	65	0.5	233	210	110.28.1000.**	111.28.1000.**	113.28.1000.**
1122	878	82	1078	922	36	22	998.5	1001.5	72	10	6	M10×1	12	1188	96	816	69	65	0.5	233	210		112.28.1000.**	114.28.1000.**
1242	998	82	1198	1042	36	22	1118	1122	72	10	6	M10×1	10	1300	127	940	95	65	0.5	262	230	110.28.1120.**	111.28.1120.**	113.28.1120.**
1242	998	82	1198	1042	36	22	1118	1122	72	10	6	M10×1	12	1308	106	936	79	65	0.5	262	230		112.28.1120.**	114.28.1120.**
1390	1110	91	1337	1163	40	26	1248	1252	81	10	6	M10×1	12	1452	118	1044	88	75	0.5	321	350	110.32.1250.**	111.32.1250.**	113.32.1250.**
1390	1110	91	1337	1163	40	26	1248	1252	81	10	6	M10×1	14	1456	101	1036	75	75	0.5	321	350		112.32.1250.**	114.32.1250.**
1540	1260	91	1487	1313	40	26	1398	1402	81	10	6	M10×1	12	1608	131	1188	100	75	0.5	358	400	110.32.1400.**	111.32.1400.**	113.32.1400.**
1540	1260	91	1487	1313	40	26	1398	1402	81	10	6	M10×1	14	1610	112	1190	86	75	0.5	358	400		112.32.1400.**	113.32.1400.**
1740	1460	91	1687	1513	45	26	1598	1602	81	10	8	M10×1	14	1820	127	1386	100	75	0.5	412	440	110.32.1600.**	111.32.1600.**	113.32.1600.**
1740	1460	91	1687	1513	45	26	1598	1602	81	10	8	M10×1	16	1824	111	1376	87	75	0.5	412	440		112.32.1600.**	114.32.1600.**
1940	1660	91	1887	1713	45	26	1798	1802	81	10	8	M10×1	14	2016	141	1568	113	75	0.5	460	500	110.32.1800.**	111.32.1800.**	113.32.1800.**
1940	1660	91	1887	1713	45	26	1798	1802	81	10	8	M10×1	14	2016	123	1568	99	75	0.5	460	500		112.32.1800.**	114.32.1800.**
2002	1665	156	1940	1720	54	30	1827	1833	128	28	6	M10×1	12	-	-	1610	135	100	0.5	571	912			113.45.1830.11
2178	1825	112	2110	1891	48	33	1998	2002	100	12	8	M10×1	16	2272	139	1728	109	90	0.5	686	900	110.40.2000.**	111.40.2000.**	113.40.2000.**

2178	1825	112	2110	1891	48	33	1998	2002	100	12	8	M10×1	18	2268	123	1728	97	90	0.5	686	900	110.40.2000.12	112.40.2000.**	114.40.2000.**	
2178	1825	112	2110	1891	48	33	1991	1995	100	12	8	M10×1	-	-	-	-	-	-	-	-	635		767		
2418	2065	112	2350	2131	48	33	2237.5	2242.5	100	12	8	M10×1	16	2496	153	1984	125	90	0.5	764	1000	110.40.2240.**	111.40.2240.**	113.40.2240.**	
2418	2065	112	2350	2131	48	33	2237.5	2242.5	100	12	8	M10×1	18	2502	136	1980	111	90	0.5	764	1000			112.40.2240.**	114.40.2240.**
2678	2325	112	2610	2391	56	33	2497.5	2502.5	100	12	8	M10×1	18	2772	151	2232	125	90	0.5	797	876	110.40.2500.**	111.40.2500.**	113.40.2500.**	
2678	2325	112	2610	2391	56	33	2497.5	2502.5	100	12	8	M10×1	20	2780	136	2220	112	90	0.5	797	876			112.40.2500.**	114.40.2500.**
2678	2325	112	2610	2391	56	33	2498.5	2501.5	100	112	8	M10×1	-	-	-	-	-	-	-	-	1000		876		112.40.2500.12K
2978	2625	112	2910	2691	56	33	2497.5	2802.5	100	12	8	M10×1	18	3078	168	2520	141	90	0.5	960	1250	110.40.2800.**	111.40.2800.**	113.40.2800.**	
2978	2625	112	2910	2691	56	33	2497.5	2802.5	100	12	8	M10×1	20	3080	151	2520	127	90	0.5	960	1250			112.40.2800.**	114.40.2800.**
3376	2922	134	3286	3014	56	45	3147.5	3152.5	122	12	8	M10×1	20	3480	171	2820	142	110	0.5	1380	2150	110.50.3150.**	111.50.3150.**	113.50.3150.**	
3376	2922	134	3286	3014	56	45	3147.5	3152.5	122	12	8	M10×1	22	3476	155	2816	129	110	0.5	1380	2150			112.50.3150.**	114.50.3150.**
3776	3322	134	3686	3414	56	45	3547.5	3552.5	122	12	8	M10×1	20	3880	191	3220	162	110	0.5	1570	2470	110.50.3550.**	111.50.3550.**	113.50.3550.**	
3776	3322	134	3686	3414	56	45	3547.5	3552.5	122	12	8	M10×1	22	3894	174	3212	147	110	0.5	1570	2470			112.50.3550.**	114.50.3550.**
3776	3322	134	3686	3414	56	45	3548	3552	122	12	8	M10×1	20	3880	191	-	-	110	0.5	1475	2464			111.52.3550.12	
4226	3772	134	4136	3864	60	45	3997.5	4002.5	122	12	10	M10×1	22	4334	194	3652	167	110	0.5	1760	2800	110.50.4000.**	111.50.4000.**	113.50.4000.**	
4226	3772	134	4136	3864	60	45	3997.5	4002.5	122	12	10	M10×1	25	4350	171	3650	147	110	0.5	1760	2800			112.50.4000.**	114.50.4000.**
4726	4272	134	4636	4364	60	45	4497.5	4502.5	122	12	10	M10×1	22	4940	217	4158	190	110	0.5	1980	3100	110.50.4500.**	111.50.4500.**	113.50.4500.**	
4726	4272	134	4636	4364	60	45	4497.5	4502.5	122	12	10	M10×1	25	4850	191	4150	167	110	0.5	1980	3100			112.50.4500.**	114.50.4500.**

Phosphy Co., Ltd

Triple-row cylindrical roller slewing ring bearings



Bearing Number			Boundary Dimensions			Bolt Hole Diameter				Structure Dimensions				Gear Parameters			Ex-Gear Parameters		In-Gear Parameters		Tangential		Wt	
Without Gear	External Gear	Internal Gear	D	d	H	D1	D2	n	φ	n1	Ex-Gear	In-Gear	H1	b	x	m	De	Z	De	Z	normalizing	tempering	(kg)	
			mm	mm	mm	mm	mm		mm		mm	mm					mm		mm		Z	Z		Z
				mm	mm	mm	mm	mm	mm	mm	D3/d1	D3/d1	mm	mm	mm	mm	mm	mm	mm	mm	mm	mm		mm
130.25.500	131.25.500	133.25.500	634	366	148	598	402	24	18	4	537	474	138	32	80	0.5	5	664	130	337	68	5	6.7	200
	132.25.500	134.25.500									526	463					6	664.8	108	338.4	57	6	8	

130.25.560	131.25.560	133.25.560	694	426	148	658	462	24	18	4	597	534	138	32	80	0.5	5	724	142	397	80	5	6.7	224
	132.25.560	134.25.560									586	523					6	724.8	118	398.4	67	6	8	
130.25.630	131.25.630	133.25.630	764	496	148	728	532	28	18	4	667	604	138	32	80	0.5	6	808.8	132	458.4	77	6	8	262
	132.25.630	134.25.630									656	593					8	806.4	98	459.2	58	8	11	
130.25.710	131.25.710	133.25.710	844	576	148	808	612	28	18	4	747	684	138	32	80	0.5	6	886.8	145	536.4	90	6	8	293
	132.25.710	134.25.710									736	673					8	886.4	108	539.2	68	8	11	
130.32.800	131.32.800	133.32.800	964	636	182	920	680	36	22	4	841	770	172	40	120	0.5	8	1006.4	123	595.2	75	12.1	16.7	488
	132.32.800	134.32.800									830	759					10	1008	98	594	60	15.1	20.9	
130.32.900	131.32.900	133.32.900	1064	736	182	1020	780	36	22	4	941	870	172	40	120	0.5	8	1102.4	135	691.2	87	12.1	16.7	550
	132.32.900	134.32.900									930	859					10	1108	108	694	70	15.1	20.9	
130.32.1000	131.32.1000	133.32.1000	1164	836	182	1120	880	40	22	5	1041	970	172	40	120	0.5	10	1218	119	784	79	15.1	20.9	631
	132.32.1000	134.32.1000									1030	959					12	1221.6	99	784.8	66	18.1	25.1	
130.32.1120	131.32.1120	133.32.1120	1284	956	182	1240	1000	40	22	5	1161	1090	172	40	120	0.5	10	1338	131	904	91	15.1	20.9	710
	132.32.1120	134.32.1120									1150	1079					12	1341.6	100	904.8	76	18.1	25.1	
130.40.1250	131.40.1250	133.40.1250	1445	1055	220	1393	1107	45	26	5	1300	1213	210	50	150	0.5	12	1509.6	123	988.8	83	22.9	31.4	1130
	132.40.1250	134.40.1250									1287	1200					14	1509.2	105	985.6	71	26.3	36.6	
130.40.1400	131.40.1400	133.40.1400	1595	1205	220	1543	1257	45	26	5	1450	1363	210	50	150	0.5	12	1665.6	136	1144.8	96	22.9	31.4	1290
	132.40.1400	134.40.1400									1437	1350					14	1663.2	116	1139.6	82	26.3	36.6	
130.40.1600	131.40.1600	133.40.1600	1795	1405	220	1743	1457	48	26	5	1650	1563	210	50	150	0.5	14	1873.2	131	1335.6	96	26.3	36.6	1485
	132.40.1600	134.40.1600									1637	1550					16	1868.8	114	1334.4	84	30.2	41.7	

130.40.1800	131.40.1800	133.40.1800	1995	1065	220	1943	1657	48	26	5	1850	1763	210	50	150	0.5	14	2069.2	145	1531.6	110	26.3	36.6	1690
	132.40.1800	134.40.1800									1837	1750					16	2076.8	127	1526.4	96	30.2	41.7	
130.45.2000	131.45.2000	133.45.2000	2221	1779	231	2155	1845	60	33	6	2055	1967	219	54	160	0.5	16	2300.8	141	1702.4	107	32.2	44.5	2130
	132.45.2000	134.45.2000									2033	1945					18	2300.4	125	1699.2	95	36.2	50.1	
130.45.2240	131.45.2240	133.45.2240	2461	2019	231	2395	2085	60	33	6	2295	2207	219	54	160	0.5	16	2556.8	157	1926.4	121	32.2	44.5	2480
	132.45.2240	134.45.2240									2273	2185					18	2552.4	139	1933.2	108	36.2	50.1	
130.45.2500	131.45.2500	133.45.2500	2721	2279	231	2655	2345	72	33	8	2555	2467	219	54	160	0.5	18	2822.4	154	2185.2	122	36.2	50.1	2760
	132.45.2500	134.45.2500									2533	2445					20	2816	138	2188	110	40.2	55.6	
130.45.2800	131.45.2800	133.45.2800	3021	2579	231	2955	2645	72	33	8	2855	2767	219	54	160	0.5	18	3110.4	170	2491.2	139	36.2	50.1	3070
	132.45.2800	134.45.2800									2833	2745					20	3116	153	2488	125	40.2	55.6	
130.50.3150	131.50.3150	133.50.3150	3432	2838	270	3342	2958	72	45	8	3213	3104	258	65	180	0.5	20	3536	174	2768	139	45.2	62.6	5000
	132.50.3150	134.50.3150									3196	3090					22	3537.6	158	2758.8	126	49.8	68.9	
130.50.3550	131.50.3550	133.50.3550	3832	3268	270	3742	3358	72	45	8	3613	3504	258	65	180	0.5	20	3936	194	3168	159	45.2	62.6	5680
	132.50.3550	134.50.3550									3596	3490					22	3933.6	176	3154.8	144	49.8	68.9	
130.50.4000	131.50.4000	133.50.4000	4282	3718	270	4192	3808	80	45	8	4063	3954	258	65	180	0.5	22	4395.6	197	3116.8	165	49.8	68.9	6470
	132.50.4000	134.50.4000									4046	3940					25	4395	173	3610	145	56.5	78.3	
130.50.4500	131.50.4500	133.50.4500	4782	4218	270	4692	4308	80	45	8	4563	4454	258	65	180	0.5	22	4901.6	220	4122.8	188	49.8	68.9	7320
	132.50.4500	134.50.4500									4546	4440					25	4895	193	4110	165	56.5	78.3	